

DIFFERENTIAL TIME OF ARRIVAL DIRECTION FINDER

ANTENNA CONNECTION
TO RADIO NON-CRITICAL

ANTENNA TYPE:
1/4 TO 3/4 WAVE
SEPERATION
SAME ELEMENT
SAME IMPEDANCE
SAME LENGTH

ANTENNA CONNECTIONS:
SAME LENGTH
SAME TYPE
SAME CONNECTORS

ADDED MODULATIOPN TONE
TO QUIET CARRIER WHEN
TRANSMITTER IS NOT NORMAL
TO ANTENNA ARRAY

ON

MARK ZERO POINT FOR
PICK & PLACE FILE ON
PRINTED CIRCUIT BOARD

KC0JFQ

TOP_FULL	
DRAWING FRAME SHOWN ON CIRCUIT BOARD	
BOARD ASSY	
DRAWING FRAME SHOWN ON CIRCUIT BOARD	
BOT_COMPACT	
DRAWING FRAME SHOWN ON CIRCUIT BOARD	
BOARD-ID	
DRAWING FRAME SHOWN ON CIRCUIT BOARD	

Drawn	Date
W. ROBISON	8/2019
Designed	Date
W. ROBISON	8/2019

~~PWB RELEASED AS 2D354 102-73170-A~~

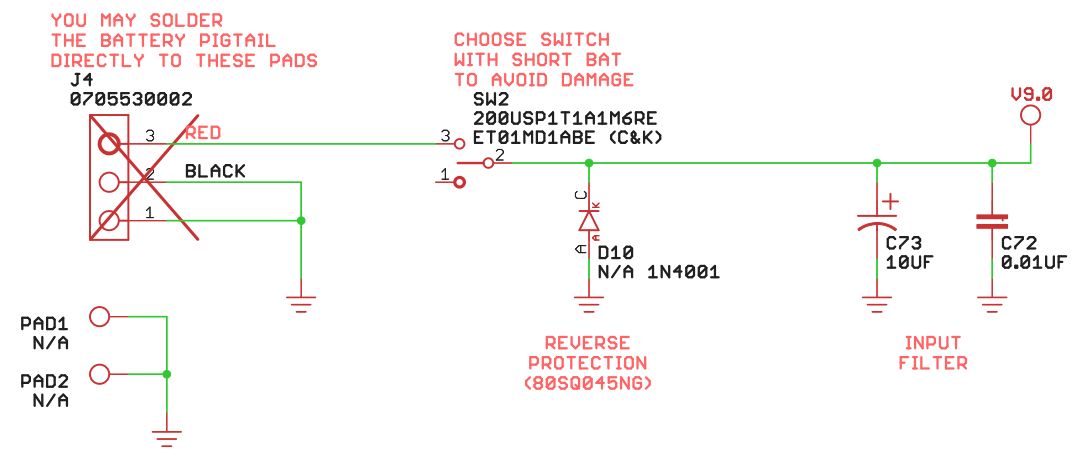
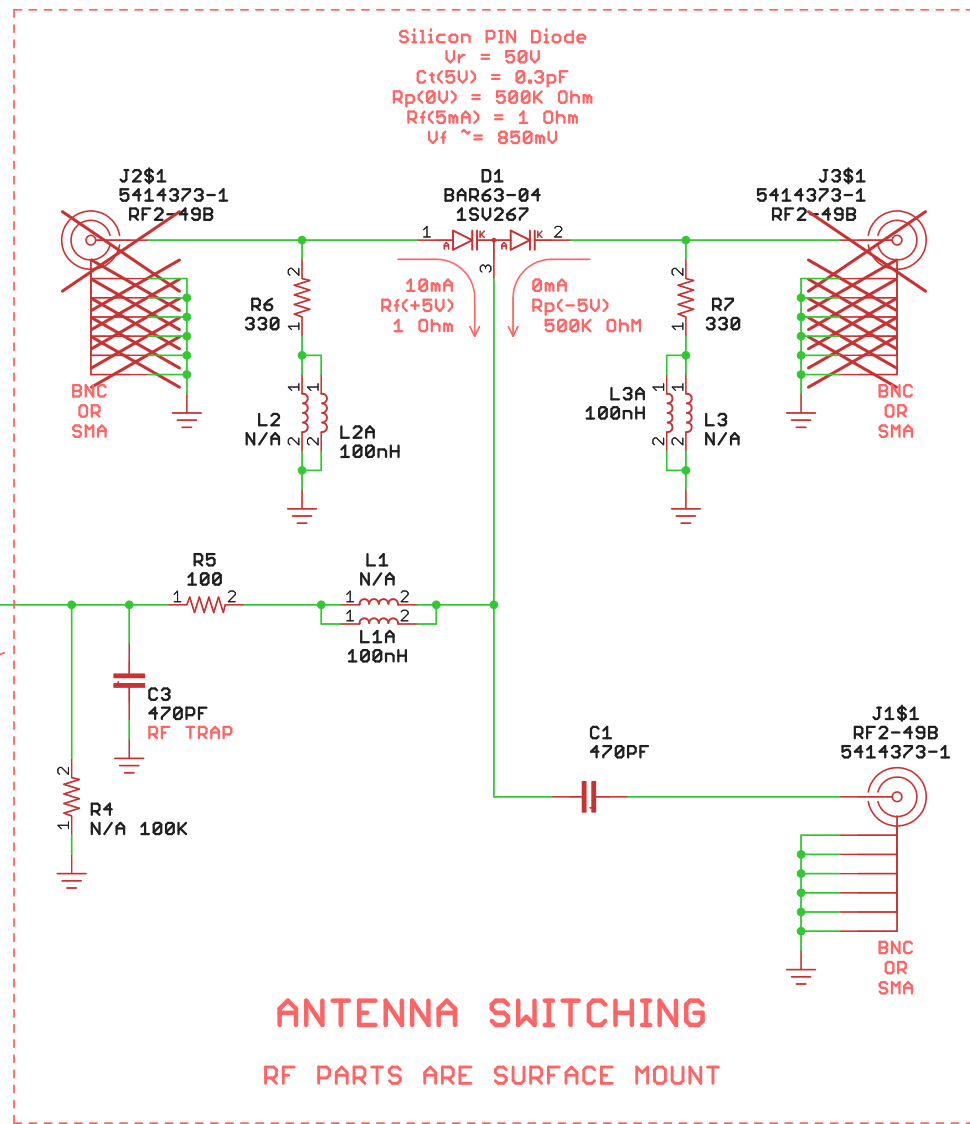
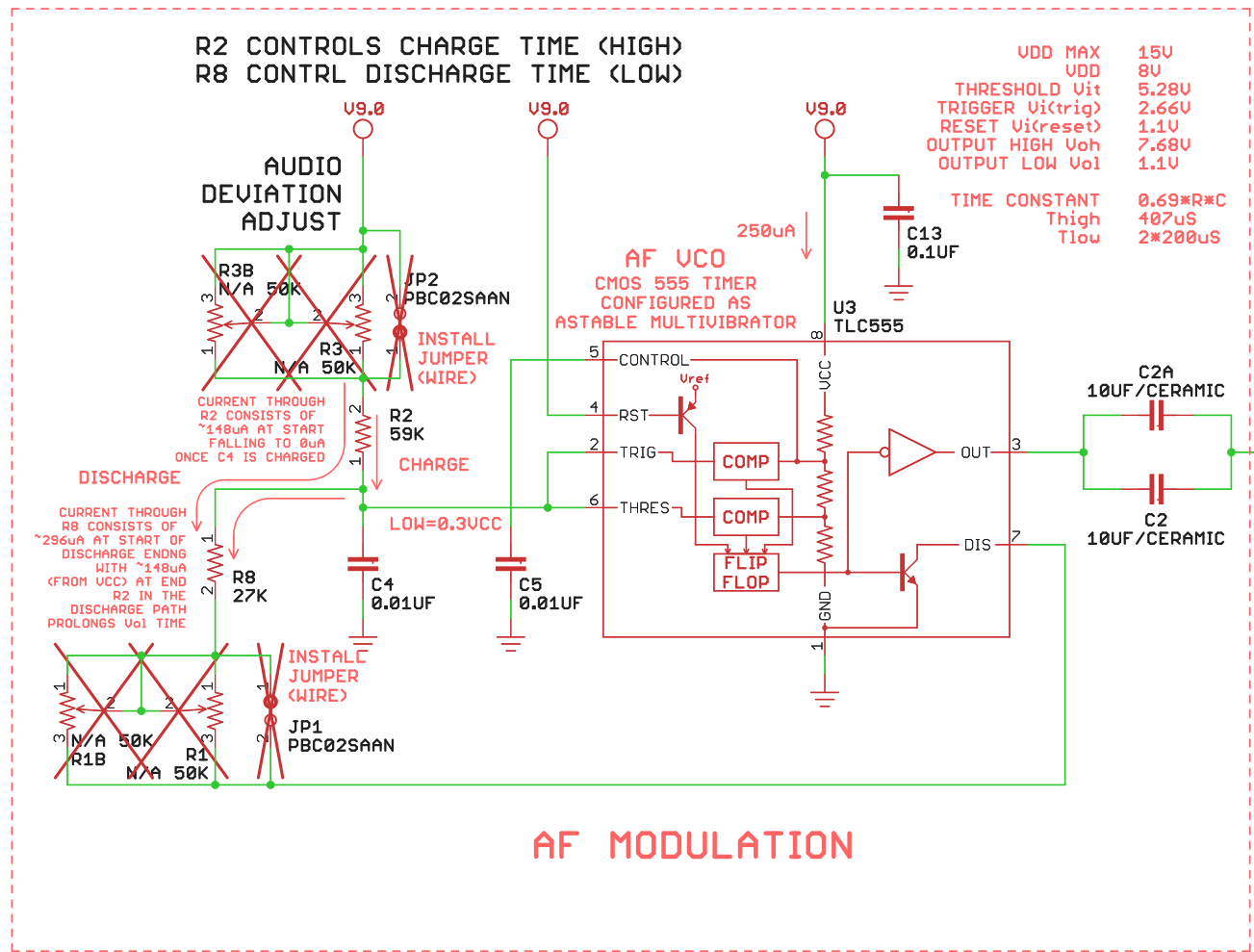
PWA RELEASED AS 2D354 102-73170-A

The University of Iowa
Department of Physics & Astronomy
Iowa City, IA, USA

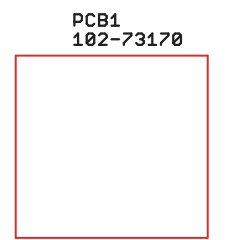
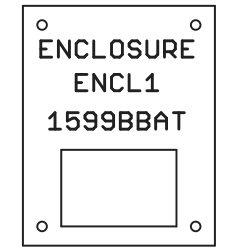
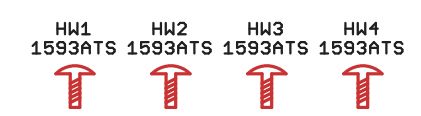
TITLE: ICARC DTOA DIRECTION FINDER
A102_73170_A
PROD

CAGE	Series	Number	2 Layers	Rev
2D354	102	B 73170		A

Date: not saved! 3/28/23 4:43 PM Sheet: 1/3



BOARD MOUNTING SCREWS

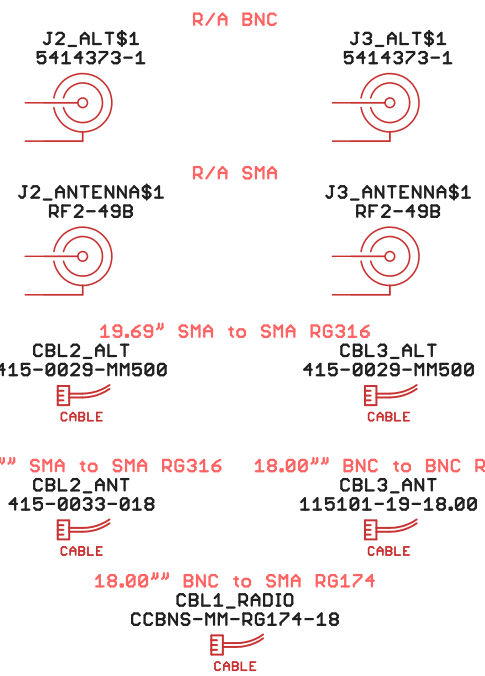


THIS BOARD CONTAINS STATIC SENSITIVE DEVICES. HANDLE ONLY IN STATIC SAFE ENVIRONMENT

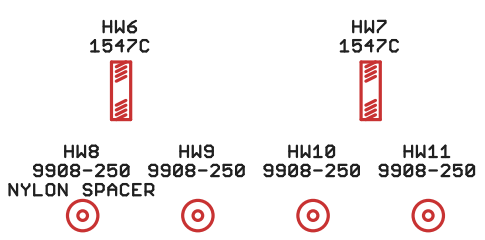
Drawn	W. ROBISON	Date	8/2019		The University of Iowa Department of Physics & Astronomy Iowa City, IA, USA
Designed	W. ROBISON	Date	8/2019		
TITLE: ICARC DTOA DIRECTION FINDER				A102_73170_A PROD	
CAGE	Series	B	Number	2 Layers	Rev
2D354	102		73170	A	
Date: not saved!			3/28/23 4:43 PM Sheet: 2/3		

HM1599BBAT MECHANICAL DETAILS

CABLE AND COAX SELECTION

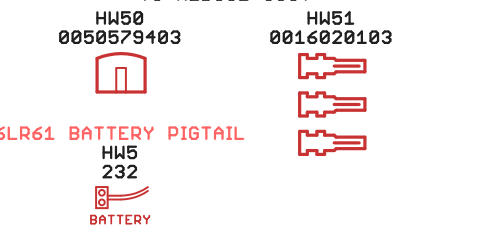


ANTENNA MOUNTING HARDWARE

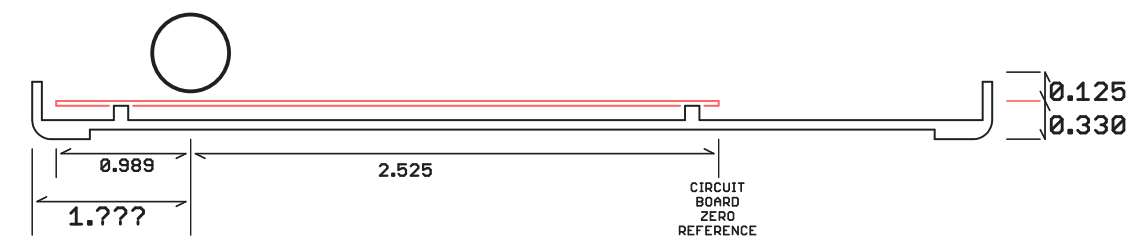


BATTERY CONNECTOR

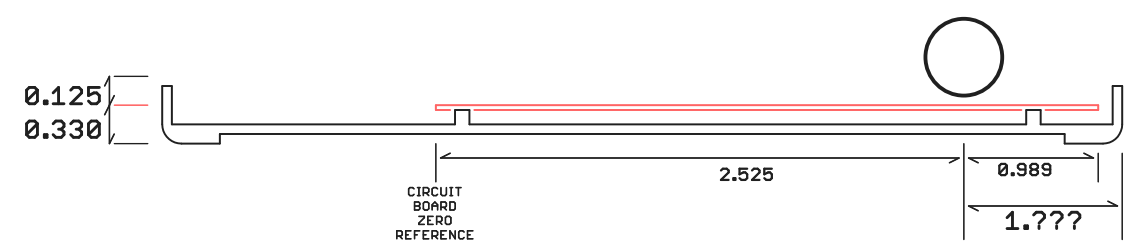
YOU MAY OMIT HW50 AND HW51 TO REDUCE COST



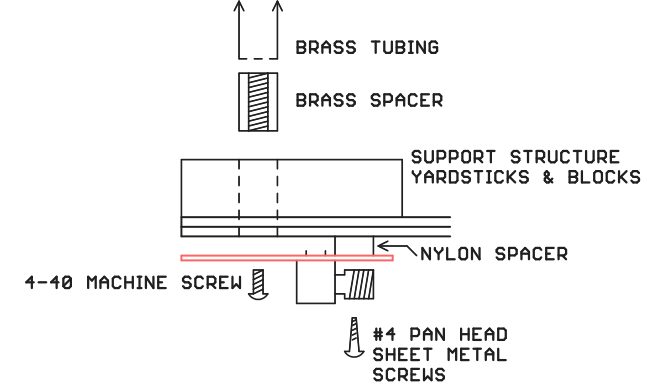
ANTENNA CONNECTORS



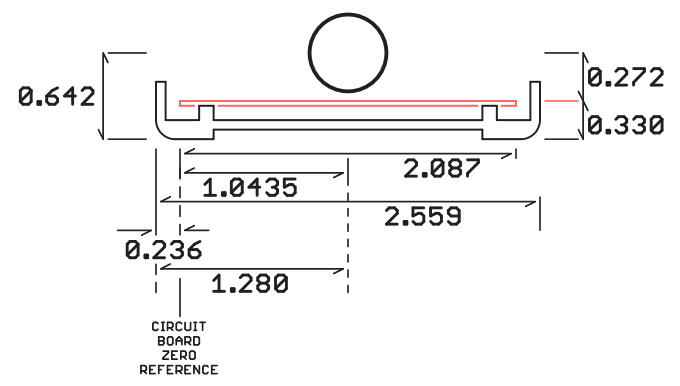
ANTENNA CONNECTORS



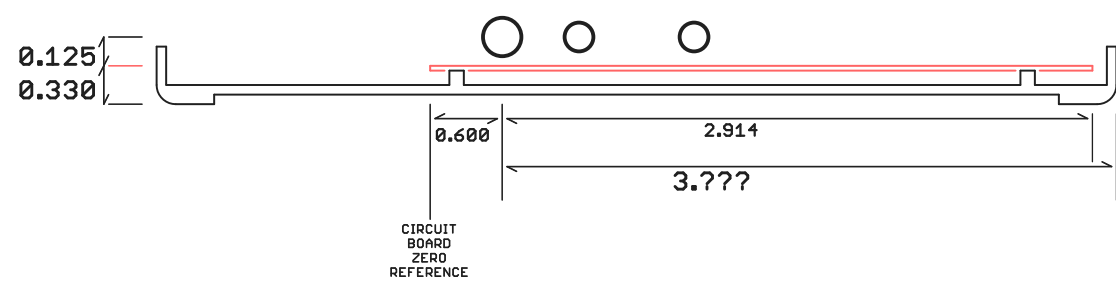
ANTENNA ELEMENT MOUNTING (BASE)



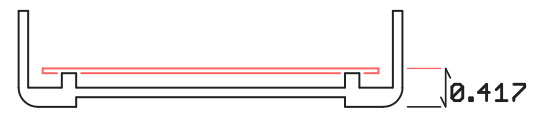
RADIO CONNECTOR



POWER AND TIMING



CIRCUIT BOARD HEIGHT ABOVE BASELINE



CIRCUIT BOARD HEIGHT ABOVE BASELINE (BASE)



NOT TO SCALE

Drawn	W. ROBISON	Date	8/2019
Designed	W. ROBISON	Date	8/2019

The University of Iowa Department of Physics & Astronomy Iowa City, IA, USA			
TITLE: ICARC DTOA DIRECTION FINDER		A102_73170_A PROD	
CAGE	Series	Number	2 Layers Rev
2D354	102	B 73170	A
Date: not saved!		3/28/23 4:43 PM	Sheet: 3/3