

PWB RELEASED AS 102-73189-52

FABRICATE TO ~~IPC 6122B CLASS 2~~ → IPC2

PARTS SUBSTITUTIONS TO BE
PROCESSED THROUGH
VENDOR SUPPLIED WEB
INTERFACE

EXCELLON DRILL FILE
102_73189_52drill .XLN

GERBER FILE STANDARDS INFORMATION
UNITS INCHES
TOOL UNITS INCHES
COORDIANTES ABSOLUTE
NUMBER FOMRAT 2.4

SURFACE FINISH HASL

HOLE PLATING GUIDELINE
HOLES WITH ANNULAR RING
ARE TO BE PLATED
HOLES WITHOUT AN ANNULAR RING
ARE NOT TO BE PLATED

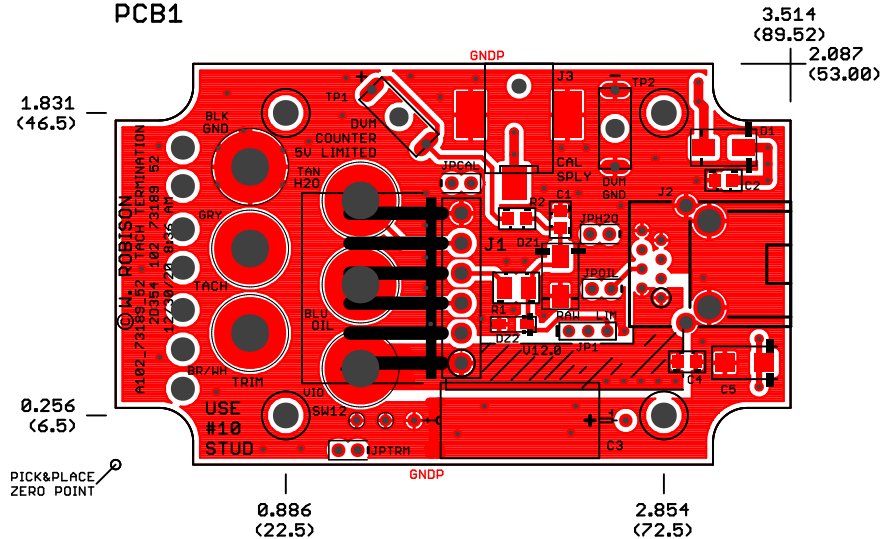
~~HOLE FILL GUIDELINE
HOLES DRILLED 0.025" AND
SMALLER ARE TO BE FILLED
HOLES DRILLED 0.025" AND
LARGER ARE NOT FILLED.~~

NOMINAL BOARD THICKNESS IS 0.062
INCH UNLESS SPECIFIED DIFFERENTLY

LAYERING ORDER		
ITEM	DESCRIPTION	GERBER FILE
1	TOP MARKING INK	102_73189_52 .qto .GTO
2	SOLDER MASK	102_73189_52 .gts .GTS
3	TOP COPPER 10Z	102_73189_52 .qm01 .GTL
4	LAMINATE	
5	COPPER 10Z	102_73189_52 .qm16 .GBL
6	SOLDER MASK	102_73189_52 .qbs .GBS
7	MARKING INK	102_73189_52 .qbo .GBO

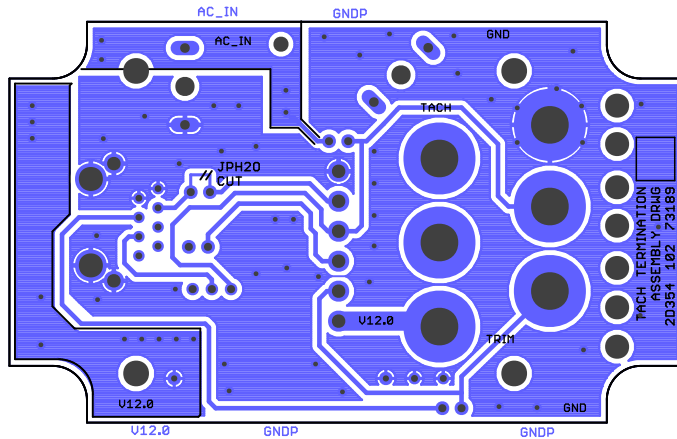
SPECIFIED BOARD THICKNESS

PCB1



Drawn	W. ROBISON	Date	TITLE: TACH TERMINATION				The University of Iowa	
Designed	W. ROBISON	Date	PWB				Department of Physics & Astronomy	
Approval 1		Date	Plot: 12/30/20 8:36 AM Save: not saved! A102_73189_52				Iowa City, IA, USA	
			CAGE	Series	iCARC FOX HUNT	LAYERS	Number	REV:
			2D354	102		2	73189	52

PWB RELEASED AS 102-73189-52



PICK&PLACE
ZERO POINT

TOP MARKING INK 102_73189_52.dwg
BOT COPPER 102_73189_52.dwg

TITLE: TACH TERMINATION

The University of Iowa
Department of Physics & Astronomy
Iowa City, IA, USA

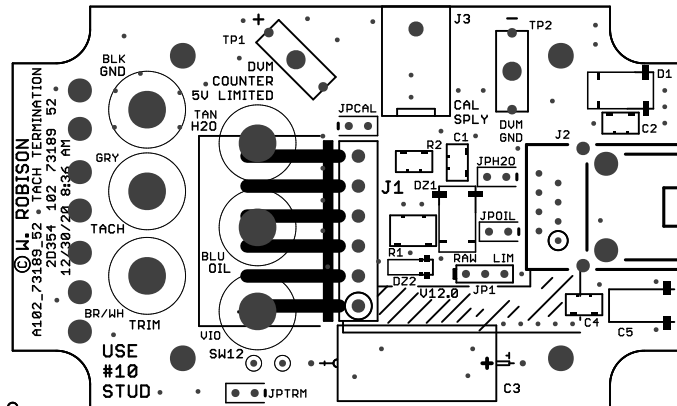
PWB

Date: not saved!

A102_73189_52

CAGE	Series	ICARC FOX HUNT	LAYERS	Number	REV:
20354	102		2	73189	52

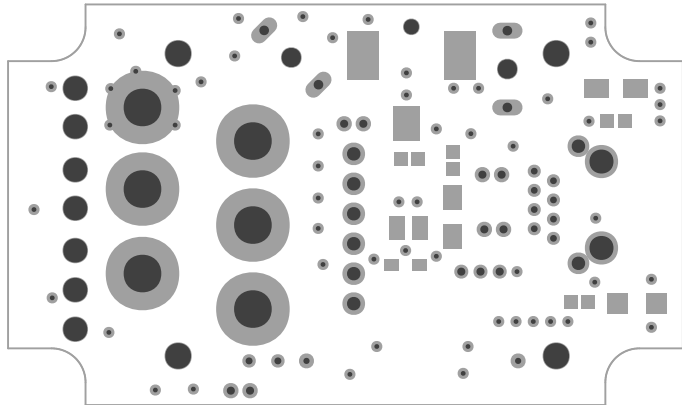
PCB1



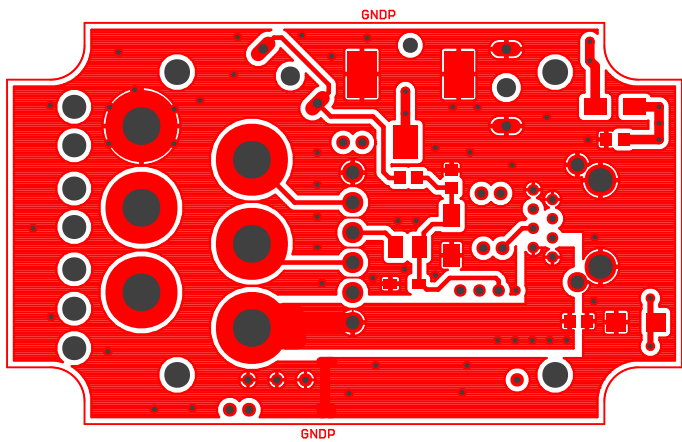
TOP MARKING INK 102_73189_52 .gto .GTO

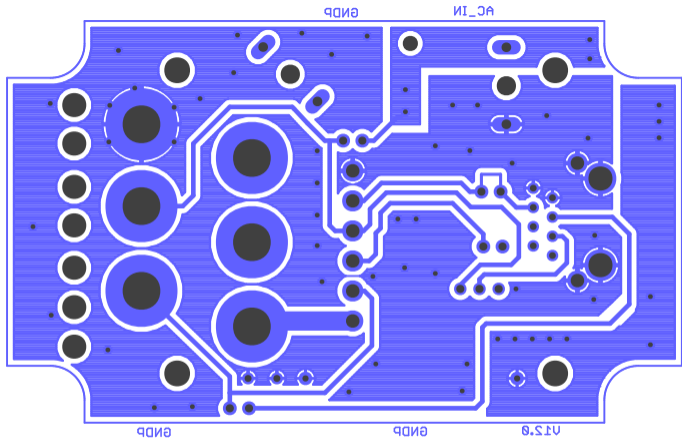
PICK&PLACE
ZERO POINT

TOP SOLDER MASK 102_73189_52 .gts .GTS

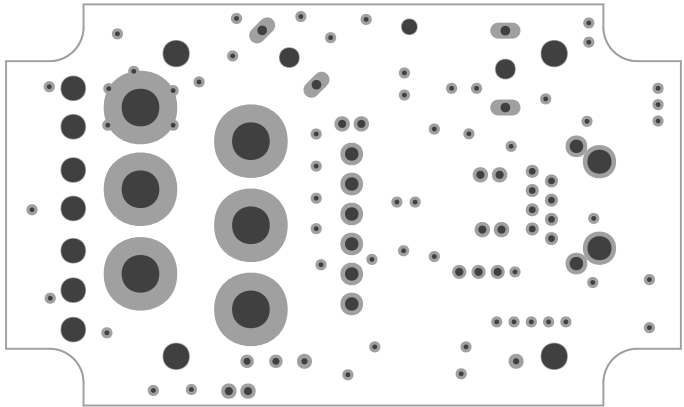


TOP COPPER 10Z 102_73189_52 .gm01 .GTL





BOT COPPER 10Z 102_73189_52 .gm16 .GBL



BOT SOLDER MASK 102_73189_52 .gbs .GBS

○
PICK#PLACE
ZERO POINT

