

10 INCHES

250 mm

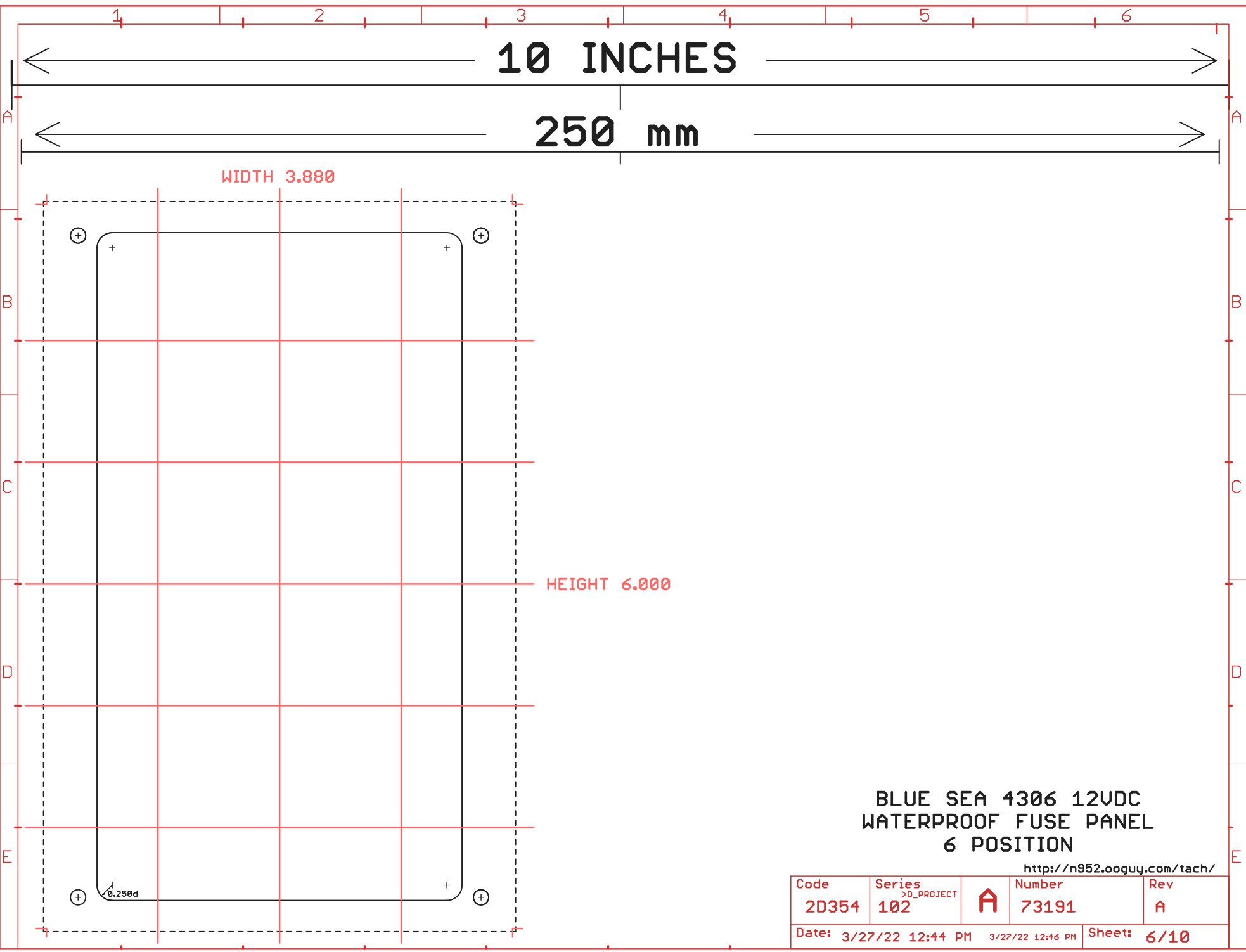
WIDTH 3.880

HEIGHT 6.000

BLUE SEA 4306 12VDC
WATERPROOF FUSE PANEL
6 POSITION

<http://n952.ooguy.com/tach/>

Code	Series	A	Number	Rev
2D354	102		73191	A
Date: 3/27/22 12:44 PM		3/27/22 12:46 PM	Sheet: 6/10	



10 INCHES

250 mm

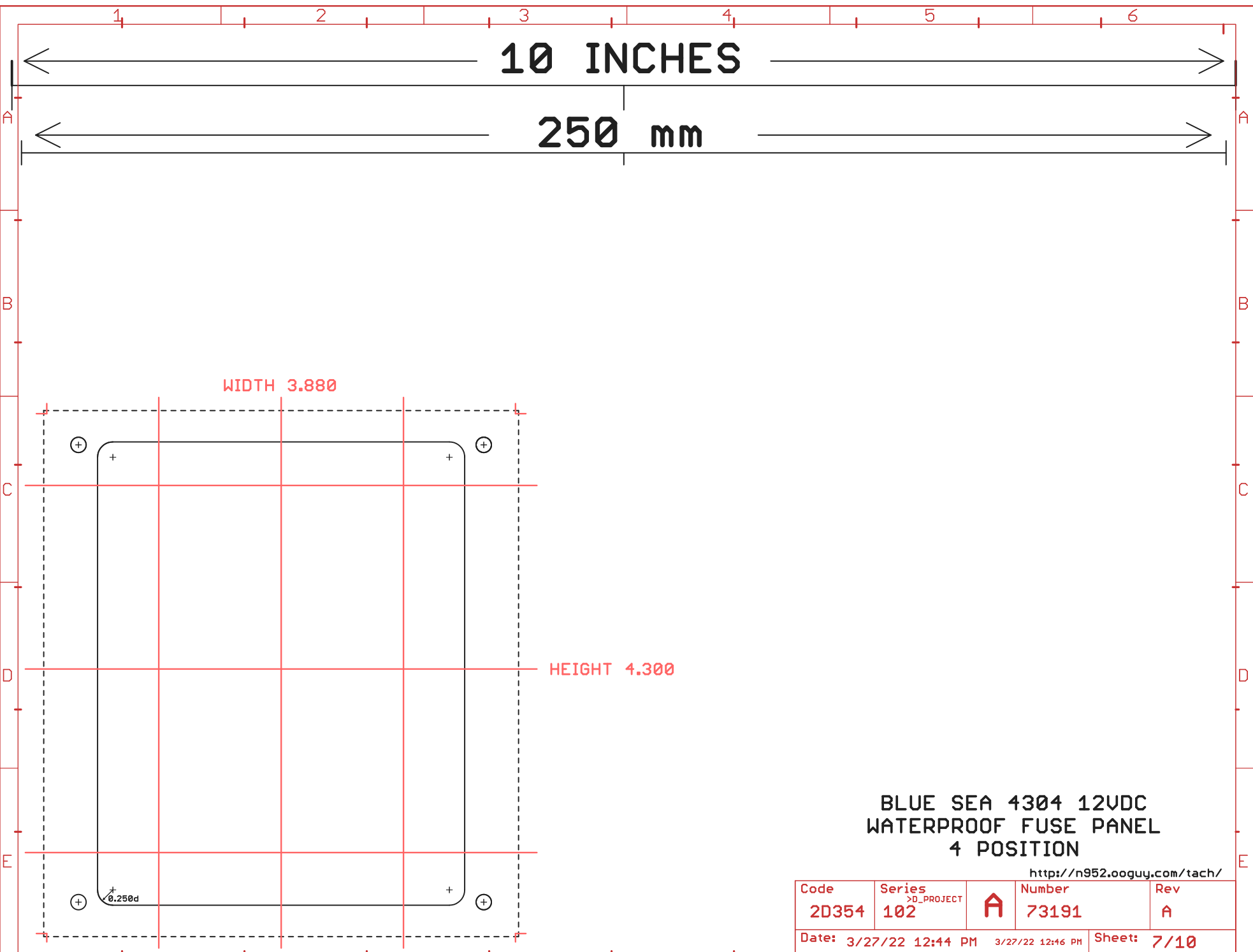
WIDTH 3.880

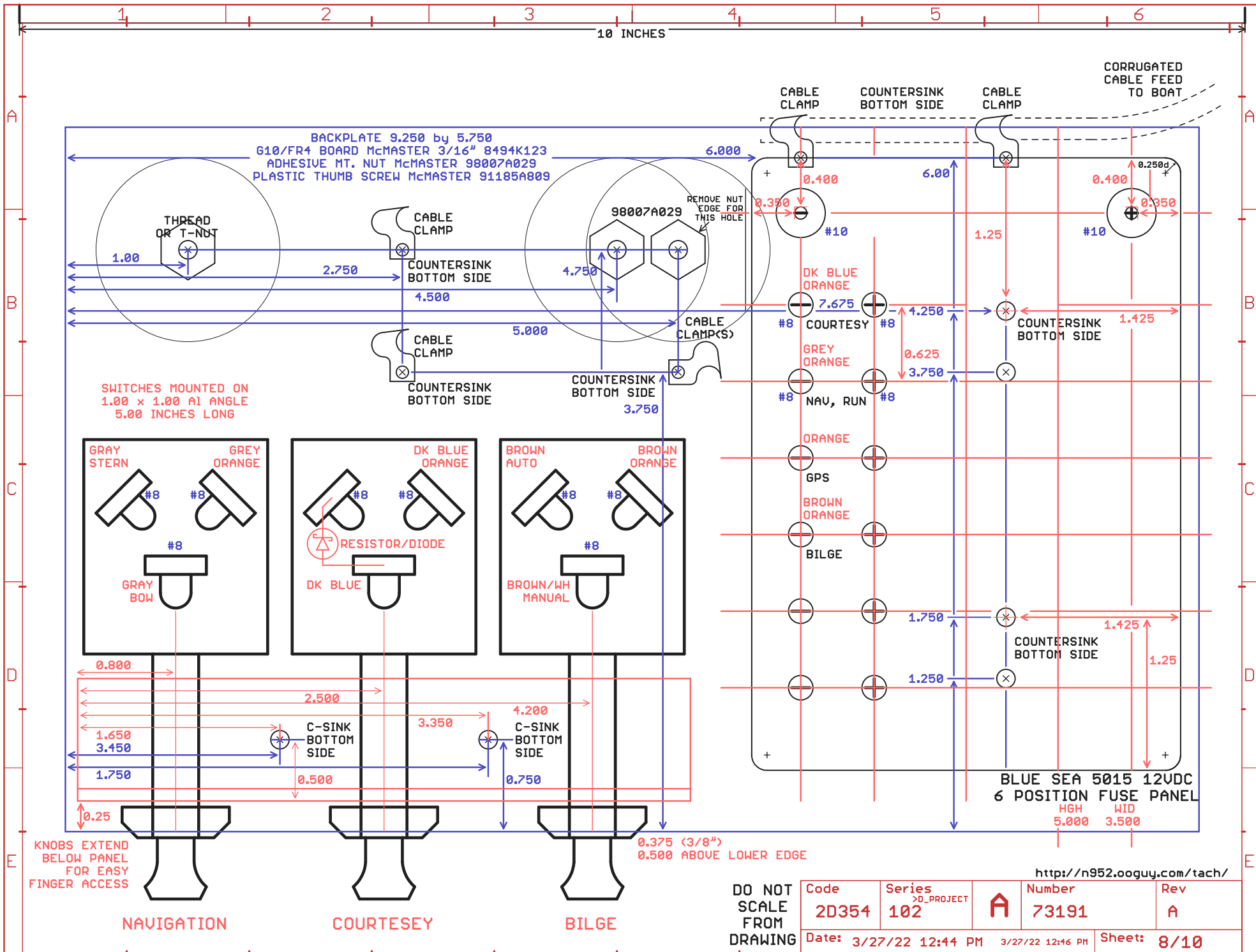
HEIGHT 4.300

BLUE SEA 4304 12VDC
WATERPROOF FUSE PANEL
4 POSITION

<http://n952.ooguy.com/tach/>

Code	Series	Number	Rev
2D354	102 <small>>D_PROJECT</small>	A 73191	A
Date: 3/27/22 12:44 PM		3/27/22 12:46 PM	Sheet: 7/10





SWITCHES MOUNTED ON
1.00 x 1.00 AL ANGLE
5.00 INCHES LONG

BACKPLATE 9.250 by 5.750
G10/FR4 BOARD McMaster 3/16" 8494K123
ADHESIVE MT. NUT McMaster 98007A029
PLASTIC THUMB SCREW McMaster 91185A809

CORRUGATED
CABLE FEED
TO BOAT

BLUE SEA 5015 12VDC
6 POSITION FUSE PANEL
HGH 5.000
WID 3.500

KNOBBS EXTEND
BELOW PANEL
FOR EASY
FINGER ACCESS

0.375 (3/8")
0.500 ABOVE LOWER EDGE

NAVIGATION

COURTESY

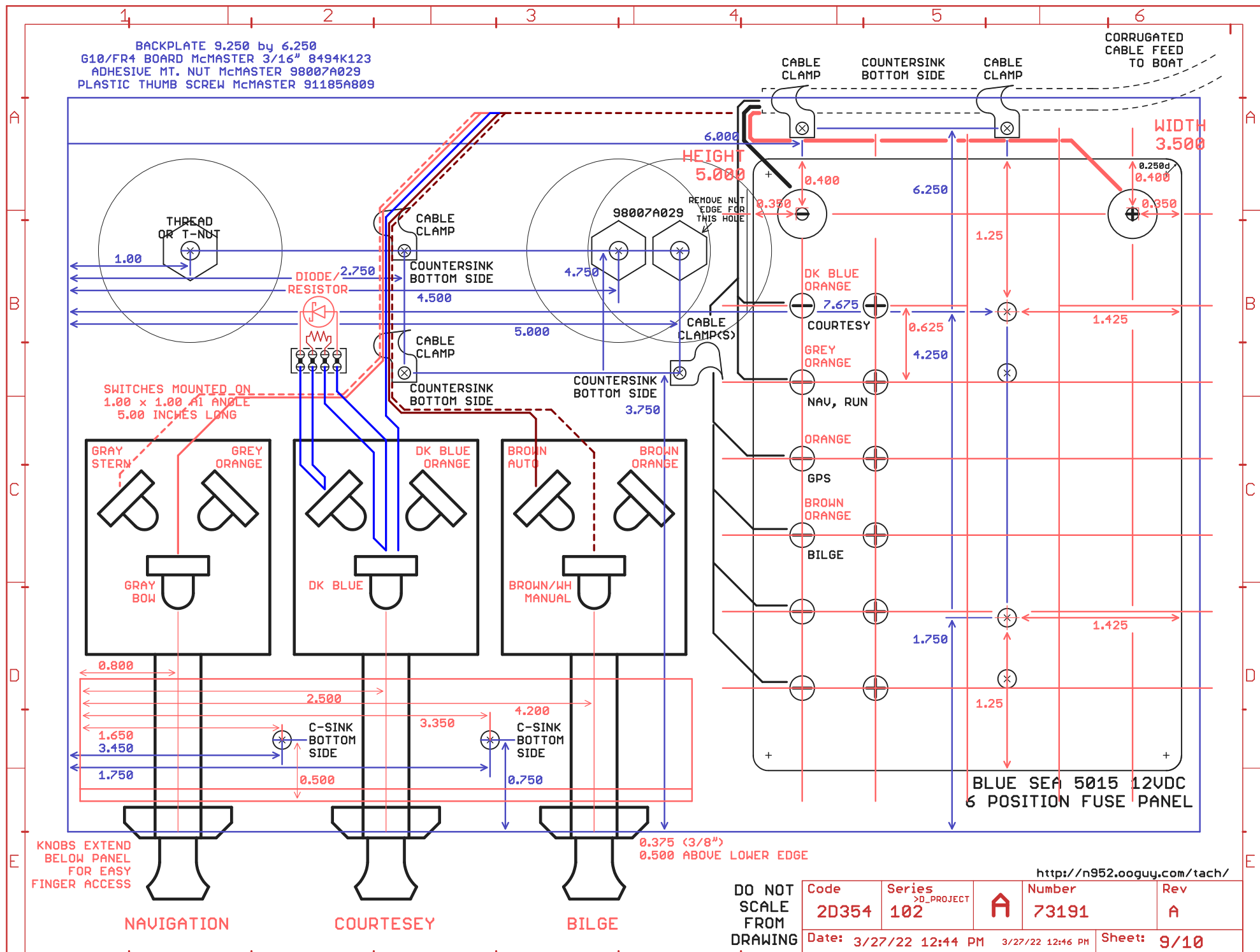
BILGE

DO NOT
SCALE
FROM
DRAWING

Code	Series	Number	Rev
2D354	102	73191	A
Date: 3/27/22 12:44 PM 3/27/22 12:46 PM			Sheet: 8/10

<http://n952.ooguy.com/tach/>

BACKPLATE 9.250 by 6.250
 G10/FR4 BOARD McMaster 3/16" 8494K123
 ADHESIVE MT. NUT McMaster 98007A029
 PLASTIC THUMB SCREW McMaster 91185A809



SWITCHES MOUNTED ON
 1.00 x 1.00 AT ANGLE
 5.00 INCHES LONG

KNOBES EXTEND
 BELOW PANEL
 FOR EASY
 FINGER ACCESS

NAVIGATION

COURTESY

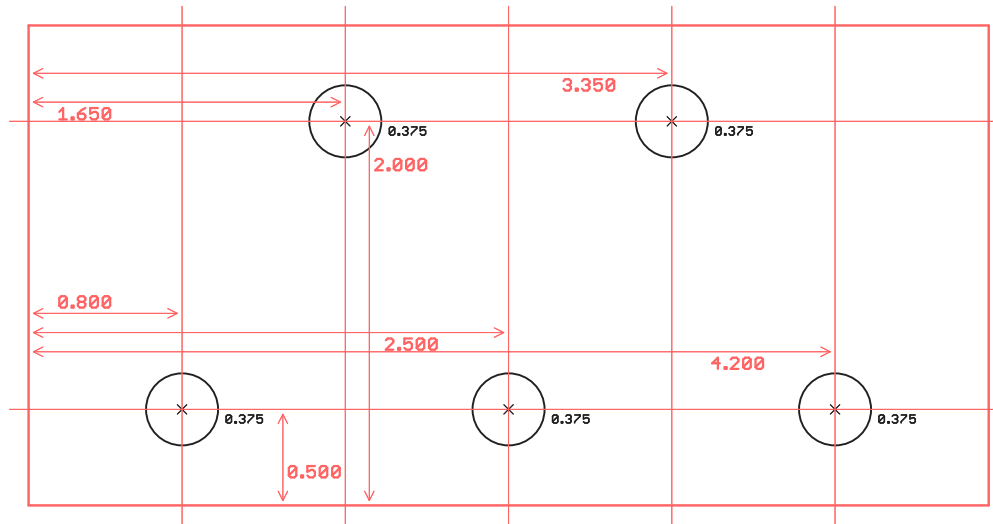
BILGE

DO NOT
 SCALE
 FROM
 DRAWING

Code	Series	Number	Rev
2D354	102	73191	A
Date: 3/27/22 12:44 PM		3/27/22 12:46 PM	
Sheet:			9/10

<http://n952.ooguy.com/tach/>

SWITCH EXPANSION PANEL



Drawn	W. ROBISON	Date	2020-11-23
Designed	W. ROBISON	Date	2020-11-23

The University of Iowa Department of Physics & Astronomy Iowa City, IA, USA			
TITLE: JON BOAT WIRING			A102_73191_A

CAGE	Series	>D_PROJECT	Number	Rev
2D354	102	A	73191	A
Date: 3/27/22 12:44 PM		3/27/22 12:46 PM	Sheet: 10/10	